

NEW *Noblelift Products*
ARRIVAL

AC

3200-4000lbs

FE3D N Serie

3-wheel Double Drive Electric Forklift

- 48 Volt Electrical TOTAL AC System
- All-Around Dual Front Wheel Drive
- Curtis Intelligent Computer Control System
- With On-Board Curtis Self-Diagnostics (IMS) Display
- Excellent Safety and Reliability
- Easy Service and Maintenance
- Smart Open Side Battery Access Door
- Great comfort and ergonomic design



7719 Edison Ave
Fontana, Ca 92336



info@esslifts.com

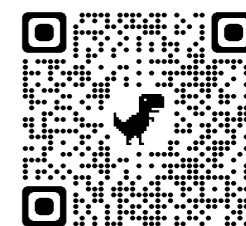


833-377-5438



www.esslifts.com

ESS LIFTS



Official Website

ESS LIFTS - AN AUTHORIZED DEALER

www.esslifts.com



AC

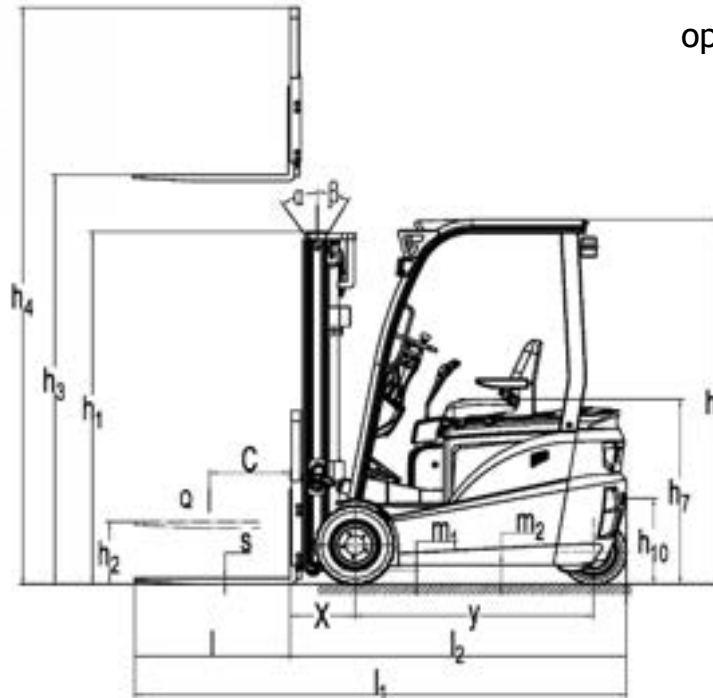
48 Volt Electrical TOTAL AC System with Low Maintenance Costs

The Total AC system design utilizes two AC drive motors and one AC hydraulic motor to achieve high performance with minimal costs. AC motors eliminate the need for motor brush or contactor checks or replacements, thereby greatly reducing overall routine maintenance costs. AC motors also provide high operating efficiency, long operating life, and longer run times than conventional DC type motors. The truck's power saving function enhances the truck's ability to operate for longer periods without reducing productivity or performance.



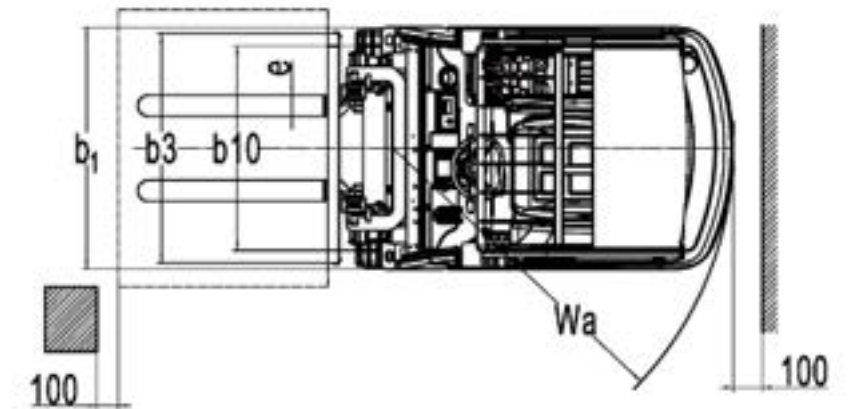
All-Around Dual Front Wheel Drive

All-around Dual AC front wheel drive motors for the N series provide powerful travel and excellent turning performance even in the most undesirable floor conditions. Stability of the truck is further enhanced through a low mounted battery keeping the truck center of gravity lower to the ground.



Curtis Intelligent Computer Control System

Advanced Curtis electronic controller regulates or monitors all required forklift functions in all situations and settings to assure the AC motor's best efficiency and performance. The Curtis easy Self-Diagnostics and Intelligent Monitoring System (IMS) display indicators is thoroughly tested to assure the highest standard of reliability of the forklift during its operation.



Excellent Safety and Reliability

The N series is equipped with the disc brake which improves brake control greatly in all applications situations. Unlike conventional drum and shoe braking systems that require periodic checks and maintenance so that total cost of ownership is also reduced.

Emergency power cut-off located at the right hand side near the control levers to ensure prompt emergency stop of the forklift under dangerous circumstance. Operator Presence Sensing System ensures that truck is operated only when the operator is seated to avoid incidents the parking brake is corrected applied whenever the operator leave the forklift.

Operator restraint system with retractable seat belt for safe operation.



Great comfort and ergonomic design for easy and comfortable operation

The N Series is designed with full consideration of the comfort and ergonomic of the operator to ensure the best efficiency and productivity is delivered with easy and comfortable operation. All lights are LED to ensure the best view in dark area operation. Small diameter steering wheel with spinner knob and on-demand Fully Hydrostatic Power Steering (FHPS) ensures effortless steering of the forklift during operation. Spacious step area with anti-slip design and a large hand grip for easy entry and exit.

Comfort Package including Rear Grab Bar with horn + Left & Right Rearview Mirrors + USB Connector + Deluxe Grab Bar + Deluxe Full Suspension Seat operation to make the job easier.

Easy Service and Maintenance Access

The N series offer gas-spring-assisted battery hood to make battery checks and maintenance easier to perform. Downtime is further reduced through the use of its Curtison-board self-diagnostic system that makes troubleshooting and repairs quick and simple. The controller is housed within a compartment designed to prevent the entry of dust, water and other possible contaminants, yet the cover can be removed for easy and quick service and maintenance.



Smart Open Side Battery Access Door

The N Series provides for several ways to easily remove or exchange the truck battery facilitating continuous multi-shift operations with its easy open side battery access door, so you can either replace the battery from side or hang from the top as most of the forklifts.



Mast table FE3D32N-40N

Designation	Lift height h_3 (in)	Free lift height h_2 (in)	Closed mast height h_1 (in)	Extended mast height h_4 (in)	Tilt forward/backward α/β (°)	Capacity table(lbs) C=24(in) without sideshift single solid tyres		
						FE3D32N	FE3D35N	FE3D40N
Two-stage STD	98	4.9	69.2	137.0	5/7	3200	3500	4000
	106	4.9	73.1	144.9	5/7	3200	3500	4000
	118	4.9	79.1	156.7	5/7	3200	3500	4000
	130	4.9	85.0	168.5	5/7	3200	3500	4000
	138	4.9	88.9	176.4	5/7	3200	3500	4000
	146	4.9	92.8	184.3	5/7	3200	3500	4000
	157	4.9	100.7	196.1	3/5	3000	3500	3900
	169	4.9	106.6	207.9	3/5	2900	3400	3750
Two-stage FL	177	4.9	110.6	215.8	3/5	2800	3200	3650
	98	31.2	69.2	136.8	5/7	3200	3500	4000
	106	35.2	73.1	144.6	5/7	3200	3500	4000
	118	41.1	79.1	156.5	5/7	3200	3500	4000
	130	47.0	85.0	168.3	5/7	3200	3500	4000
	138	50.9	88.9	176.1	5/7	3200	3500	4000
Three-stage FFL	146	54.8	92.8	184.0	5/7	3200	3500	4000
	157	62.7	100.7	195.8	3/5	3000	3400	3900
	157	38.9	76.9	196.1	3/5	3000	3400	3900
	171	43.8	81.8	209.8	3/5	2900	3300	3750
	177	45.8	83.8	215.7	3/5	2800	3200	3600
Three-stage FFL	189	49.7	87.7	227.5	3/5	2600	3000	3400
	197	53.7	91.7	235.4	3/5	2400	2800	3200
	217	59.6	97.6	255.1	3/5	2200	2500	2700

Type sheet for industrial truck acc. to VDI 219					
Distinguishing mark					
1.2	Manufacturer's type designation		FE3D32N	FE3D35N	FE3D40N
1.3	Drive:electric(battery or mains),diesel,petrol gas,manual)		Electric	Electric	Electric
1.4	Type of operation(hand,pedestrian,standing,seated,order-picker)		seated	seated	seated
1.5	Load capacity/rated load	Q(lbs)	3200	3500	4000
1.6	Load centre distanc	c(in)	24	24	24
1.8	Load distance,centre of drive axle to fork	x(in)	15	15	15
1.9	wheelbase	y(in)	54	54	59
Weight					
2.1	Service weight incl. battery(see line 6.5)	lbs	6732	6952	7524
2.2	Axle loading ,laden front/rear	lbs	9152/1100	9790/1122	10736/1188
2.3	Axle loading,unladen front/rear	lbs	3234/3498	3366/3586	3674/3850
Tires,chassis					
3.1	Type:solid rubber,superelastic,pneumatic,polyurethane		Solid Rubber	Solid Rubber	Solid Rubber
3.2	Tyres size,front		18x7-8	18x7-8	200/50-10
3.3	Tyres size,rear		15X4½-8	15X4½-8	15X4½-8
3.5	Wheels,number front/rear(*=driven wheels)		2x/2	2x/2	2x/2
3.6	Track width,front	b_{10} (in)	37.8	37.8	38.7
3.7	Track width,rear	b_{11} (in)	7.1	7.1	7.1
Dimensions					
4.1	Mast/fork carriage tilt forward/backward	α/β (°)	5/7	5/7	5/7
4.2	lowered mast height	h_1 (in)	79.1	79.1	79.1
4.3	Free lift	h_2 (in)	4.9	4.9	4.9
4.4	Lift height	h_3 (in)	118.1	118.1	118.1
4.5	Extended mast height	h_4 (in)	156.7	156.7	156.7
4.7	Overhead load guardheight	h_6 (in)	81.7	81.7	81.7
4.8	Seat height/standing height	h_7 (in)	40.6	40.6	40.6
4.12	Coupling height	h_{10} (in)	18.3	18.3	18.3
4.19	Overall length	l_1 (in)	112.0	118.1	123.2
4.20	Length to face of forks	l_2 (in)	75.8	75.9	81.1
4.21	Overall width	b_1 (in)	44.7	44.7	44.7
4.22	Fork dimensions	s/e/l(in)	1.4/3.9/36.2	1.6/4.7/42.1	1.6/4.7/42.1
4.24	Fork carriage width	b_3 (in)	40.9	40.9	40.9
4.31	Ground clearance ,laden,under mast	m_1 (in)	4.8	4.8	4.8
4.32	Ground clearance,centre of wheelbase	m_2 (in)	4.1	4.1	4.1
4.33	Aisle width for pallets 1000x1200 crossways	Ast(in)	127.9	128.1	133.2
4.34	Aisle width for pallets 800x1200 lengthways	Ast(in)	132.8	133.0	138.1
4.35	Turning radius	Wa(in)	61.0	61.0	66.1
Performance					
5.1	Travel speed,laden/unladen	miine/h	8.7/9.3	8.7/9.3	8.1/9.3
5.2	Lift speed,laden/unladen	fpm	6.3/8.3	6.3/8.3	6.3/8.3
5.3	lowering speed,laden/unladen	fpm	< 11.8	< 11.8	< 11.8
5.5	Drawbar pull,laden/unladen S_2 60 min	bif	2925	3150	3600
5.7	Max.Gradient performance,laden/unladen S_2 5 min	%	15/20	15/20	13/18
5.10	Service brake		hydraulic	hydraulic	hydraulic
Electric-engine					
6.1	Drive motor rating S_2 60 min	hp	6.03*2	6.03*2	6.03*2
6.2	Lift motor rating at S_3 15%	hp	11.5	11.5	11.5
6.3	Battery standard		BS	BS	BS
6.4	Battery voltage,nominal capacity K_5	V/Ah	48/455 (48/490 48/560)	48/455 (48/490 48/560)	48/560 (48/630)
6.5	Battery weight	lbs	1760	1760	2090
6.5	Battery dimensions l/w/h	in	38.6/21.2/26.4	38.6/21.2/26.4	38.6/26.3/26.4
Additional data					
8.1	Type of drive control		AC	AC	AC
8.2	Operating pressure for attachments	psl	2538	2538	2538
8.3	Oil volume for attachments	gmp	571	571	571
8.4	Sound level at driver's ear according to EN 12 053	dB(A)	73	73	73