

NOBLELIFT

Raising Expectations

ESS LIFTS



Elevating Efficiency

EQUIPMENT

**WALKIE REACH
TRUCK
3000 LBS**

NEW

PS30RM



ESS LIFTS - AN AUTHORIZED DEALER

www.esslifts.com

▶ **Reach mast**

By offering the same stability in stacking operations than counterbalance stacker, the PS 30RM can operate through the reach mast in tighter spaces than counterbalance stacker.

▶ **AC Drive**

The powerful Noblelift AC- drive technology combines as best performance with energy-saving as well as easy serviceability.

▶ **Battery**

The powerful 270 Ah and in specific the alternative available 400 Ah battery is long-running during the day.

▶ **Fork tilt**

the fork tilt allows easier and safer pallet staging and pallet handling.

▶ **Foldable platform**

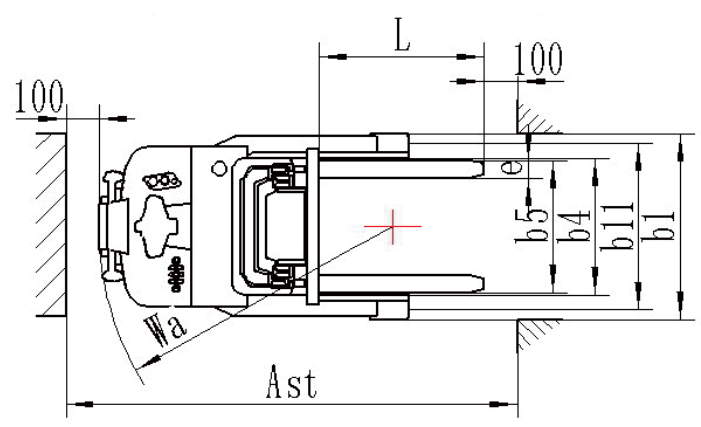
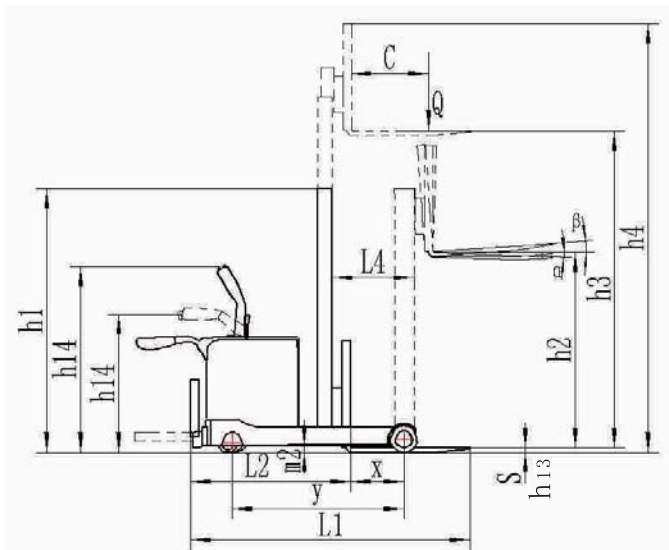
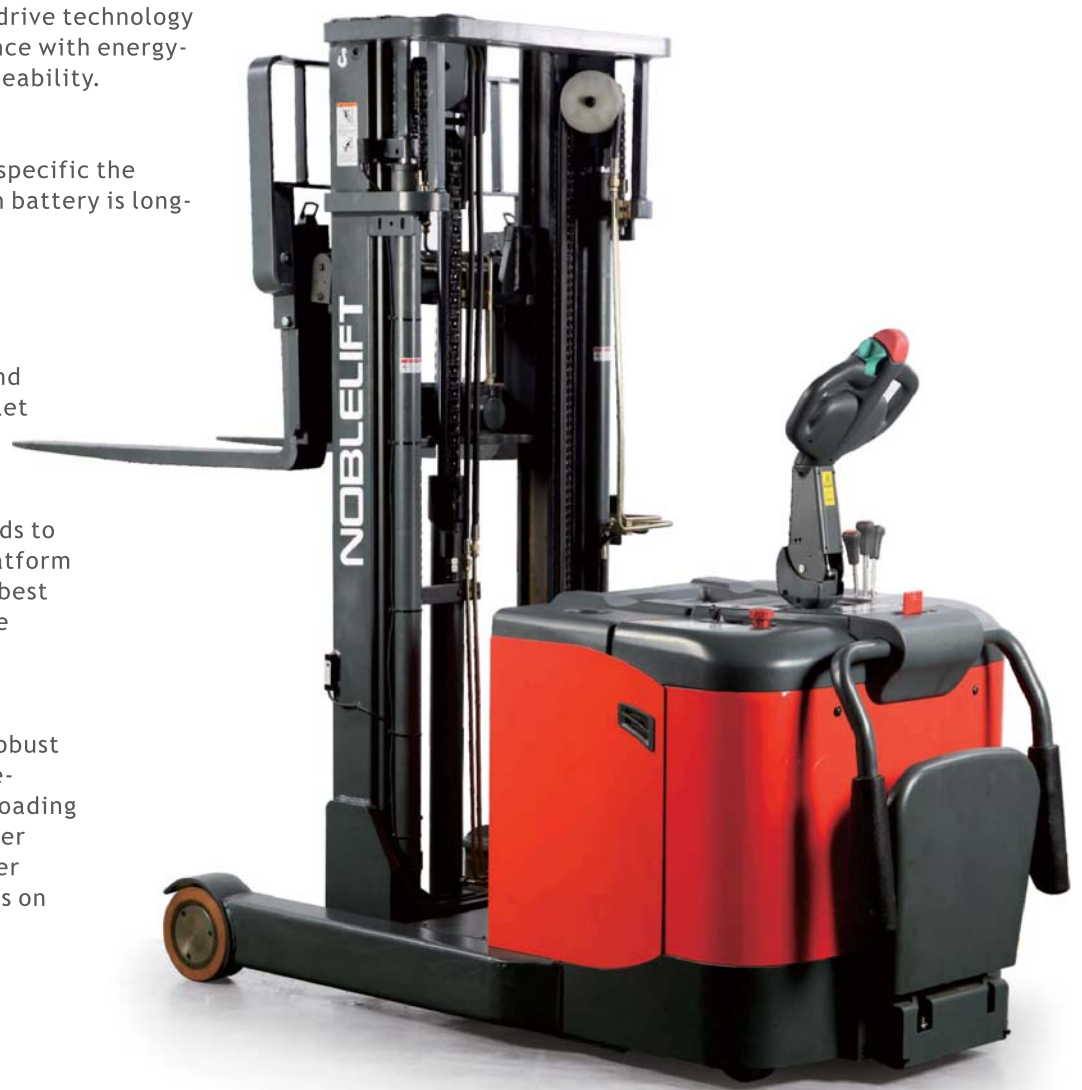
Where longer distances needs to be bridged, the foldable platform with protective arms is the best choice to handle goods more efficient.

▶ **Robust chassis**

The PS 30RM comes with a robust chassis ready for warehouse-operations but loading/ unloading operations as well. The larger support wheels ensure longer lifetime than smaller wheels on other trucks.

▶ **Electric Steering**

Where the stackers are getting more powerful steering forces are a matter. The Noblelift electric steering system gives the effortless operability operator require during the shifts.



Distinguishing mark

			PS30RM 63	PS30RM 71	PS30RM 118	PS30RM 142	PS30RM 177
1.2	Manufacturer's type designation						
1.3	Power(battery,diesel,petrol gas>manual)				Battery		
1.4	Operator type				pedestrian		
1.5	Load Capacity / rated load	Q (lbs)			3000		
1.6	Load centre distance	C (in)			23.6		
1.8	Load distance, centre of drive axle to fork	X (in)		16.3	15.3	14.9	
1.9	Wheelbase	y (in)		49.4	53.3		

Weight

2.1	Service weight	lbs	4012.4	4078.6	4453.3	4927.3	5423.4
2.2	Axle loading, laden front/rear	lbs	3262.8/3615.6	3306.9/3637.6	3483.3/3836.0	3703.8/4089.6	3902.2/4387.2
2.3	Axle loading, unladen front/ rear	lbs	2976.2/1036.2	3020.3/1058.2	3295.9/1157.4	3648.7/1278.7	4012.4/1411.0

Tires, chassis

			Polyurethane (PU)				
3.1	Tires						
3.2	Tire size, front	φx w (in)	9.1×3.0				
3.3	Tire size, rear	φx w (in)	8.3×3.3				
3.4	Additional wheels (dimensions)	φx w (in)	5.9×2.1				
3.5	Wheels, number front/ rear(x=driven wheels)		1×+2/2				
3.6	Tread, front	b10 (in)	24.4				
3.7	Tread, rear	b11 (in)	39.1				

Dimensions

4.1	Mast/fork carriage tilt forward/backward	α/β (.)	2/4				
4.2	Lowered mast height	h1(in)	81.7	89.6	82.7	72.8	85.5
4.3	Free lift	h2(in)	61.0	68.9	60	49.6	59.8
4.4	Lift height	h3(in)	63	71	118	142	177
4.5	Extended mast height		97.0	104.8	152.1	180.9	212.4
4.9	Height of tiller in drive position min. / max.	h14(in)	40.7/55.7				
4.15	Height, lowered	h13(in)	2.0				
4.19	Overall length	l1 (in)		89.2	90.2	94.5	
4.20	Length to face of forks	l2 (in)		43.9	44.9	49.2	
4.21	Overall width	b1 (in)	43.5				
4.22	Fork dimensions	s/e/l (in)	1.4/3.9/37.4(45.3)				
4.25	Distance between fork-arms	b5 (in)	7.9~29.1				
4.26	Distance between supports arms/loading surfaces	b4(in)	30.9				
4.28	Reach distance	l4(in)		21.7	22.8		
4.32	Ground clearance, centre of wheelbase	m2 (in)	2.3				
4.33	Aisle width for pallets 100×1200 crossways		103.6	104.3		108.4	
4.34	Aisle width for pallets 800×1200 lengthways	Ast (in)	105.3	106.2		110.4	
4.35	Turning radius	Wa (in)		62.7	66.5		
4.37	Length across wheel arms			65	68.9		

Performance

5.1	Travel speed, laden/ unladen	mph	3.1/3.4				3.1/3.4
5.2	Lift speed, laden/ unladen	fpm	167.3/240.1				216.5/324.8
5.3	Lowering speed, laden / unladen	fpm	246.1/157.5				196.8/187.0
5.8	Gradeability, laden/ unladen	%	5/8				
5.10	Service brake		Electromagnetic				

Motors

6.1	Drive motor rating S2 60min	HP	2.5				
6.2	Lift motor rating at S315%	HP	3.0		4.0		
6.3	Battery acc. to DIN 43531 /35 / 36 A, B, C, no		3Pzs			5Pzs	
6.4	Battery voltage, nominal capacity K5	V/Ah	24/270			24/400	
8.1	Type of drive control		MOSFET control				
8.4	Sound level at driver's ear acc. to EN 12053	dB(A)	67				

PS30RM

Walkie Reach Truck

INTRODUCTION

The PS30RM is the perfect selection where a short length in combination with a higher lift capacity is required.

In combination with the powerful components this truck comes with an excellent performance.

ADVANTAGES

- Combines the counterbalance stacker with the reach-mast.
- Powerful AC drive unit.
- Electric steering.
- High capacity battery.
- Optional foldable platform.
- Fork tilting.



7719 Edison Ave
Fontana, Ca 92336



info@esslifts.com

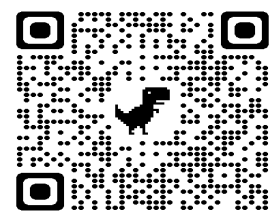


833-377-5438



www.esslifts.com

ESS LIFTS



Official Website