

# FE4P 32/40Q

3200lbs / 4000lbs capacity  
4-wheel Electric forklift



Raising Expectations

**ESS LIFTS**



Elevating Efficiency

**EQUIPMENT**

**Noblelift North America Corp.**

**ESS LIFTS - AN AUTHORIZED DEALER**

[www.esslifts.com](http://www.esslifts.com)



# Product Overview

The design of the Q series is based on the original Noblelift E series and N series with combination of the advantages to meet the light and medium applications with great comfort and efficiency. The truck is equipped with a Lithium battery. Battery placement provides a low center of gravity, reducing the overall height of the truck. This allows access to confined spaces.

## Q series Medium Duty Design

### AC MAINTENANCE-FREE DRIVE MOTOR

Maintenance-free and powerful AC drive motor. Compared with traditional DC motors, Noblelift's AC motors do not need to replace Carbon brushes. Equipped With speed sensor and temperature sensor, greatly improving the AC motor's reliability.

### QUIET LOW VIBRATION DESIGN

The hydraulic system uses a low-noise gear pump and full hydraulic power steering. Quiet and comfortable operation.

Shock absorbing steer axle to protect the vehicle system and prolong the service life of the forklift.





## LOW CENTER OF GRAVITY

Transmission system uses a horizontal fan-shaped drive Axle arranged in parallel and has a large transmission ratio. The battery is installed at the bottom of the frame, vehicle height is 81.7in with easy entrance to limited doors and high stability.

## SAFER AND EASIER ELECTROMAGNETIC BRAKE

Adopts car control mode and electromagnetic braking to make the driver's operation more comfortable.



The vehicle hood and the left and right small side-panels are formed by steel plates at one time, simple and convenient to operate.



The forklift is equipped with standard LED lamps: headlamps, front turn lamps, rear combination lamps, warning lamps. Bright light with low power consumption allows you to operate freely at night.



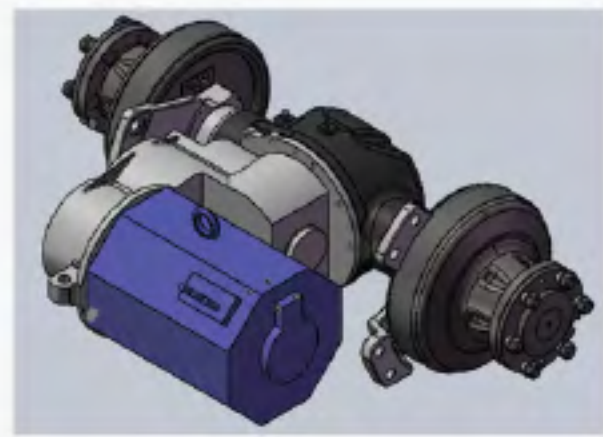
Compared with other N series 4-wheel Electric counter balance forklift, this model is smaller in size and more flexible, which is more suitable for working in confined areas.



Intelligent buffering when descending to the ground, effectively protecting the ground and cargo from damage.



# Product Features



Transmission system uses a horizontal fan-shaped drive axle arranged in parallel with a large transmission ratio. The battery is installed at the bottom of the frame. Traveling motor adopts AC maintenance-free motor.



Steer axle shock absorption designed to protect the vehicle and prolong the service life of the truck.



Adopt car control mode: Suspended driving brake system, stepless speed change.



Front multi-way valve operating device makes operation more comfortable.



Multi-function display screen with fault alarm, low battery reminder. High, medium and low speed modes.



Electromagnetic brake button cut off power at one time, making brake safer and easier.



Ergonomic hydraulic controls for comfort operation with wide mast view and easy right-sided control levers and steering wheel with knob.





# The Lithium Solution

The trucks are equipped with **Curtis** controllers, **CAN-bus** technology makes the diagnostic and troubleshooting easier. **The use of proved and certified components helps to ensure the conformity to international safety standards with all the supporting documents available as required by law.**



### Battery Status

Battery Num	16
Battery Type	Lithium
Voltage(V)	52.4Electric(A)
Electric(A)	0.0
SOC	63.9%
Discharge	ON
Mean Volt(mV)	3281
Diff Volt(mV)	2
Mean Temp(°C)	11.1
Diff Temp(°C)	0.7
Envi Temp(°C)	10.9
Charge	OFF
BMS Time	2020-12-12 10:36:14
Max Volt No.(mV)	[1] 3281
Min Volt No.(mV)	[5] 3280
Max Temp No.(°C)	[4] 11.7
Min Temp No.(°C)	[2] 11.0

### Warning

Single Volt Over	Normal	Charge Electric Over	Normal
Total Volt Over	Normal	Discharge Electric Over	Normal
Single Volt Lack	Normal	Electric Over Badly	Normal
Total Volt Lack	Normal	SOC Lack	Normal
Discharge Temp High	Normal	Gathering Line Off	Normal
Discharge Temp Low	Normal	Diff Volt Over	Normal
Charge Temp High	Normal	Envi Temp High	Normal
Charge Temp Low	Normal	Envi Temp Low	Normal

Single Temp	1	2	3	4	5	6	7	8
01—08	11.3°C	11.0°C	11.1°C	11.7°C	11.2°C	11.0°C	11.5°C	11.6°C
09—16	11.1°C	11.3°C	11.1°C	11.7°C	11.1°C	11.2°C	11.6°C	11.7°C

Single Volt	1	2	3	4	5	6	7	8
01—08	3.281V	3.282V	3.281V	3.281V	3.281V	3.281V	3.282V	3.280V
09—16	3.282V	3.281V	3.281V	3.281V	3.281V	3.282V	3.282V	3.280V

Each battery can be diagnosed via CAN connection with help of special software tool, the software can provide information about the battery condition such as balance of cells, amount of charging/discharging cycles, current, energy consumption, temperature, charging/discharging parameters, voltage of every cell, faults and alarms, settings of timing for automatic turn off.





# FE4P32-40Q

## Identification

1.2	Manufacturer's type designation	
1.3	Drive: electric (battery or mains), diesel, petrol, gas, manual	
1.4	Type of operation (hand, pedestrian, standing, seated, order-picker)	
1.5	Load capacity/rated load	Q (lbs)
1.6	Load centre distance	C (in)
1.8	Load distance, centre of drive axle to fork	X (in)

## Weights

2.1	Service weight incl. battery	lbs
-----	------------------------------	-----

## Wheels, Chassis

3.1	Type: solid rubber, superelastic, pneumatic, polyurethane	
3.2	Tyres size, front	
3.3	Tyres size, rear	
3.5	Wheels, number front/rear (×=driven wheels)	
3.6	Track width, front	b10 (in)
3.7	Track width, rear	b11 (in)

## Basic Dimensions

4.1	Mast/fork carriage tilt forward/backward	$\alpha/\beta$ (°)
4.2	lowered mast height	h1 (in)
4.3	Free lift	h2 (in)
4.4	Lift height	h3 (in)
4.5	Extended mast height	h4 (in)
4.7	Overhead load guard height	h6 (in)
4.8	Seat height/standing height	h7 (in)
4.12	Coupling height	h10 (in)
4.19	Overall length	l1 (in)
4.20	Length to face of forks	l2 (in)
4.21	Overall width	b1 (in)
4.22	Fork dimensions	s/e/l (in)
4.24	Fork carriage width	b3 (in)
4.31	Ground clearance, laden, under mast	m1 (in)
4.32	Ground clearance, centre of wheelbase	m2 (in)
4.33	Aisle width for pallets 1000×1200 crossways	Ast (in)
4.34	Aisle width for pallets 800×1200 lengthways	Ast (in)
4.35	Turning radius	Wa (in)

## Performance Data

5.1	Travel speed, laden/unladen	mi/ne/h
5.2	Lift speed, laden/unladen	fpm
5.3	lowering speed, laden/unladen	fpm
5.7	Max Gradient performance, laden/unladen S2 5 min	%
5.10	Service brake	

## E-Motor

6.1	Drive motor rating S2 60 min	hp
6.2	Lift motor rating at S3 15%	hp
6.3	Battery standard	
6.4	Battery voltage, nominal capacity K5	V/Ah

## Other Details

8.1	Type of drive control	
8.2	Operating pressure for attachments	psl
8.3	Oil volume for attachments	gmp
8.4	Sound level at driver's ear according to EN 12 053	dB(A)

## FE4P32Q

## FE4P40Q

electric

seated

3200

4000

24

15

15.2

6468

6996

solid rubber/pneumatic

18X7-8

5.00-8-10PR

2×/2

38.6

36.2

6/10

78.1

5.1

118.1

157.1

81.7

41.9

20.9

120.1

83.9

45.3

1.4/3.9/36.2

1.6/4.7/42.1

40.9

3.9

3.9

140.8

148.7

78.3

7.44/8.06

6.82/8.06

53/69

49/69

10.2/8.3

12/15

electromagnetic brake

9.4

11.5

DIN

Pb-acid: 48/360(48/400,48/460)

Pb-acid: 48/400(48/460)

Li: 48/200(48/300,48/400)

Li: 48/200(48/300,48/400)

AC

2537.5

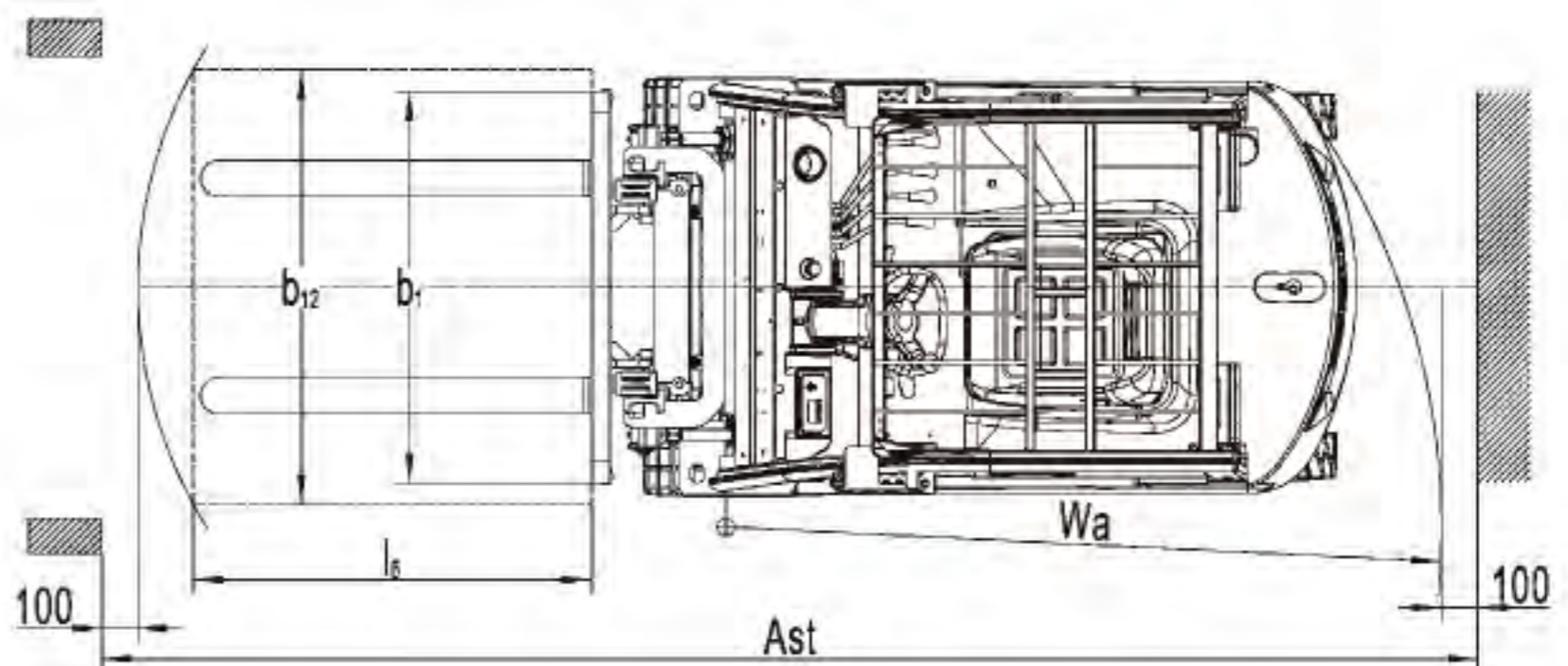
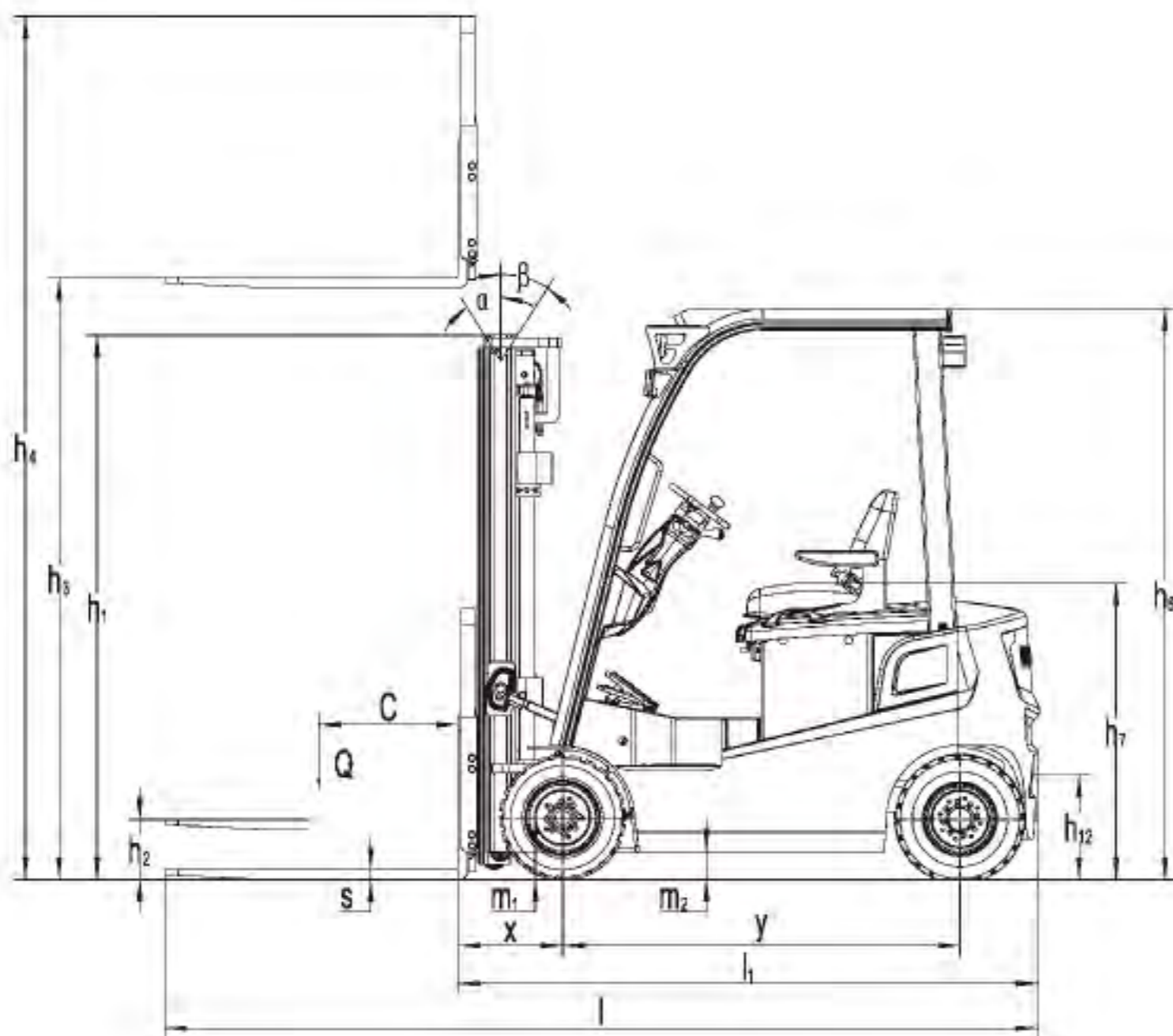
570.6

72



# Mast Table FE4P32-40Q

Designation	Lift height	Free Lift	Closed mast height	Extended mast height	Tilt forward/ backward	Capacity table(lbs) C=24in without sideshift, single solid tyres	
	h3 (in)	h2 (in)	h1 (in)	h4 (in)	$\alpha/\beta(^{\circ})$	FE4P32Q	FE4P40Q
Two-stage ZT	98	4.3	71.0	137.1	6/10	3200	4000
	106	4.3	74.9	145.0	6/10	3200	4000
	118	4.3	80.8	156.8	6/10	3200	4000
	130	4.3	86.7	168.6	6/10	3200	4000
	138	4.3	90.7	176.5	6/10	3200	4000
	146	4.3	94.6	184.3	6/10	3200	3750
	157	4.3	102.5	196.1	6/6	2960	3550
	169	4.3	108.4	208.0	6/6	2760	3160
	177	4.3	112.3	215.8	6/6	2660	2960
	197	4.3	123.1	235.5	6/6	1770	2710
Two-stage ZZ	98	33.6	71.0	137.1	6/10	3200	4000
	106	37.5	74.9	145.0	6/10	3200	4000
	118	43.4	80.8	156.8	6/10	3200	4000
	130	49.3	86.7	168.6	6/10	3200	4000
	138	53.3	90.7	176.5	6/10	3200	4000
	146	57.2	94.6	184.3	6/10	3200	3750
	157	65.1	102.5	196.1	6/6	2960	3550
Three-stage DZ	157	40.5	77.9	196.1	6/6	2960	3550
	169	45.4	82.8	209.8	6/6	2760	3160
	177	47.4	84.8	215.7	6/6	2560	2960
	189	51.3	88.7	227.6	6/6	1970	2370
	197	55.2	92.6	235.4	6/6	1770	2170







7719 Edison Ave  
Fontana, Ca 92336



info@esslifts.com



833-377-5438



www.esslifts.com

**ESS LIFTS**



Official Website